

860-0020 • 860-0030
860-0040 • 860-0050

PRECISION TRANSLATION STAGES

The models 860-0020, 860-0030, 860-0040, 860-0050 precision translation stages provide smooth and precise platform movement along one axis. They feature precision ball bearing construction, with hardened balls rolling between opposing pairs of hardened, polished steel rods. Carefully selected springs ensure preloading against the actuator tip to eliminate backlash. Four models of precision translation stages provide a real choice for wide range of applications.

Universal construction of translation stages allows to construct unit from two or three stages by the help of model 810-0080 or model 810-0090 angle brackets.

For direct mounting of model 860-0020 and 860-0030 stages to the table a use of model 820-0110-04 movable base is recommended, for models 860-0040 and 860-0050 – model 820-0110-02 movable base is used.

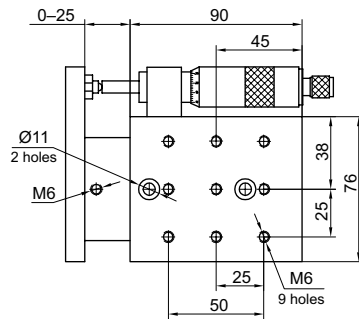
Finish: black oxidized steel.



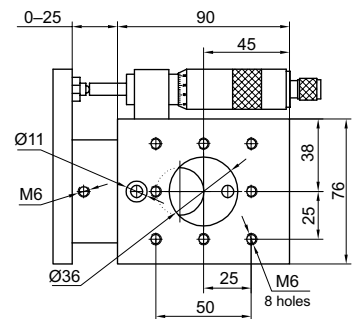
860-0020 on base plate 820-0110-04



860-0030 on base plate 820-0110-04



860-0020



860-0030

SPECIFICATIONS

Max. stage travel, mm	25
Resolution, μm	2
Angular deviation (any axis), μrad	± 200
Max. straightness, μm	± 3
Max. loading capacity, kg	30

Complementary Products

Code	Page
810-0080	8.23
810-0090	8.23
820-0110-02	8.36
820-0110-04	8.36

Code	Clear aperture	Drive position	Weight, kg	Price, EUR
860-0020	no	side	1.72	196
860-0030	yes	side	1.59	203
860-0040	no	end	1.64	189
860-0050	yes	end	1.51	196

OPTICAL TABLES

BRACKETS & RAILS

BASE MOUNTS & ACCESSORIES

OPTICAL MOUNTS

OPTICAL POSITIONERS

BASE POSITIONERS

TRANSLATION & ROTATION STAGES

ADJUSTMENT SCREWS

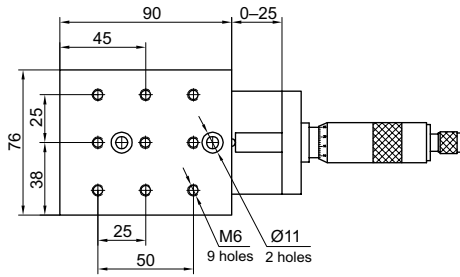
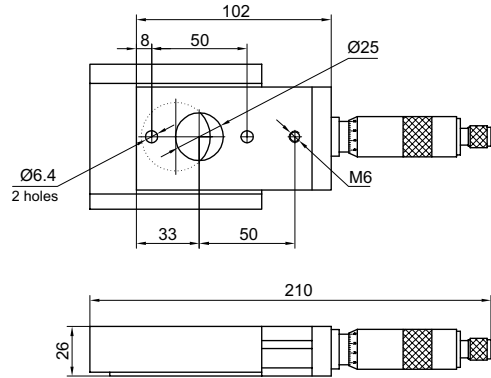
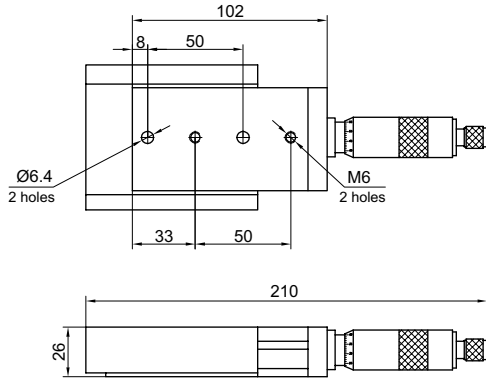
MOTORIZED POSITIONERS



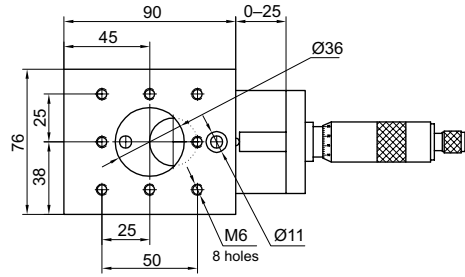
860-0040 on base plate 820-0110-02



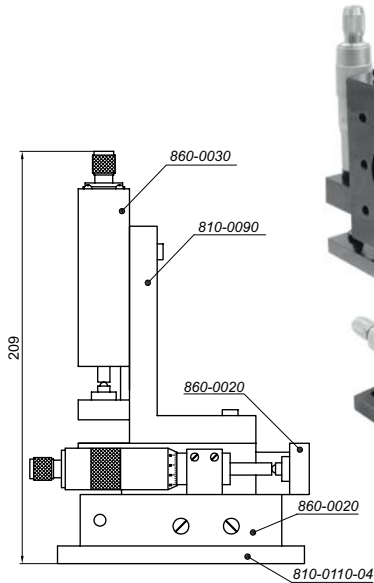
860-0050 on base plate 820-0110-02



860-0040



860-0050



Total height of XYZ stage is 209 if connecting angle bracket is 810-0090.
Total height of XYZ stage is 224 if connecting angle bracket is 810-0080.



OPTICAL TABLES

BRACKETS & RAILS

BASE MOUNTS & ACCESSORIES

OPTICAL MOUNTS

OPTICAL POSITIONERS

BASE POSITIONERS

TRANSLATION & ROTATION STAGES

ADJUSTMENT SCREWS

MOTORIZED POSITIONERS